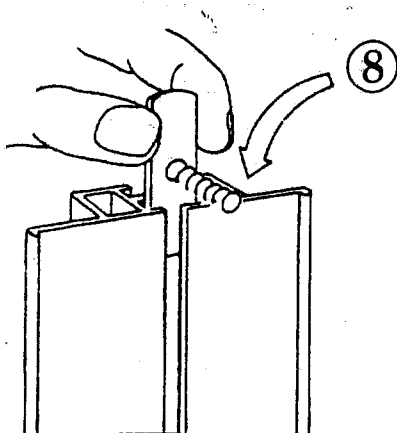
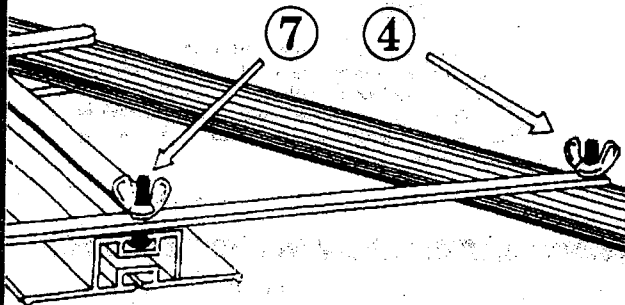
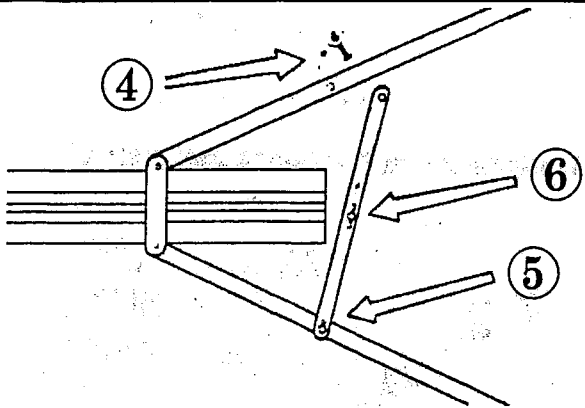
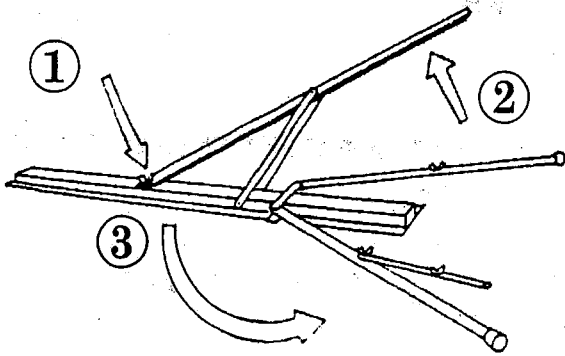


Made in U.S.A.
Stanrite

assembly instructions

No. 450 "semi-pro"



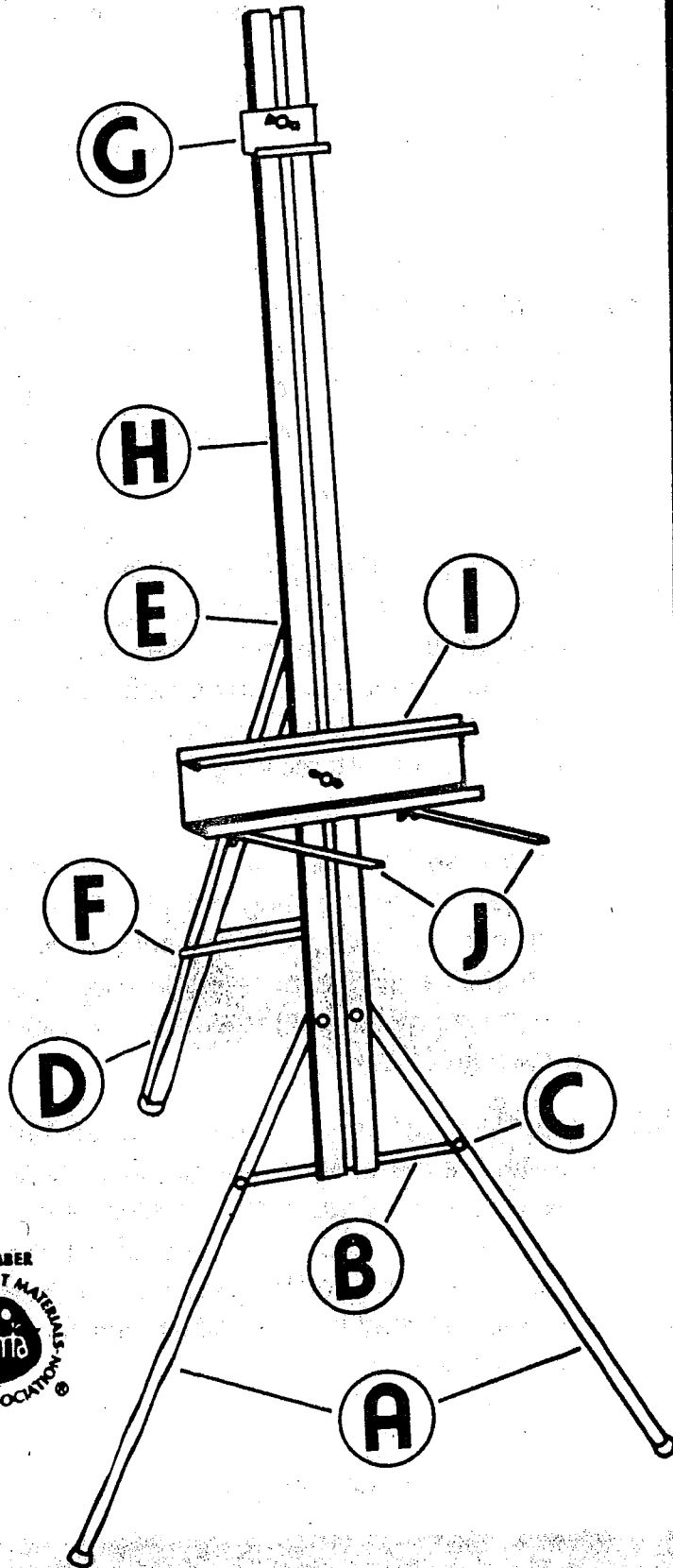
- A.** Place folded easel on floor or table, face down. Loosen wing nut (1) and raise back leg (2) slightly. Unfold legs (3).
- B -** Remove bolt and wing nut (4) from left leg and set them aside. Slightly loosen wing nuts on right leg (5) and on brace (6). Swing brace into position, flush with bottom of Main Column.
- C -** As brace (6) is being positioned, insert head of center brace bolt (7) into rear groove of Main Column. Observe how brace is fastened to right leg and fasten left leg in the same manner using the bolt (4) set aside earlier. Tighten all three wing nuts.
- D -** Stand easel on floor. Adjust back leg angle by again loosening wing nut (1). Remove wing nut and glide (8) from center of both utility shelf and top canvas holder. Slip glides into groove on the front side (the wider side) of the main column.
- E -** Insert the upper glide bolt (i.e., the one nearer the top of Main Column) into hole in the back wall of top canvas holder. Fasten wing nut and adjust to height of canvas. Attach the utility shelf in the same way. (See complete assembled easel illustrated on the other side).

MANUFACTURED BY

TESTRITE INSTRUMENT CO., INC.

Stanrite

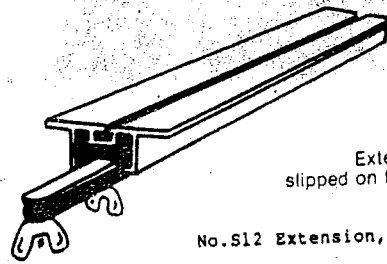
NO. 450 "SEMI-PRO"
ART EASEL



ORDERING INFORMATION: Please endeavor to obtain these accessories from your local Art Material Dealer. If he cannot furnish, you may order direct.



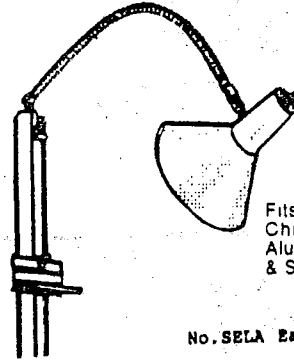
Stanrite® Accessories



EXTENSIONS:
For Studio Easels.

Larger size canvases can be used by adding Extensions which are easily slipped on top and locked securely.

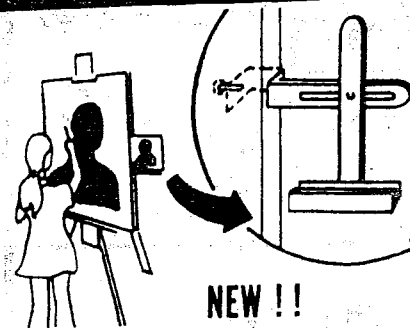
No. S12 Extension, adds 12"...



**STUDIO
EASEL
LIGHT**

Fits all STANRITE Studio Easels 18" Chrome plated flexible arm, Aluminum Reflector. Swivel Socket & Switch & 12 Ft. Cord.

No. SELA Easel Light.....



**COPY
PICTURE
HOLDER**

NEW !!

Add to all artist painting pleasure: Attaches to wood frame of stretched canvas, easily adjustable. Holds pictures or books up to 15" x 15" on 7" wide shelf. Durable attractive aluminum holder can be carried inside of canvas when not in use: Thin canvas panels can be used if backed up by stretched canvas.

No. CPB Copy Picture Holder... \$2.95

No. 450 "Stanrite" Easel Parts List

- 450A Lower Legs, ea
- 450B Cross Brace, each
- 450C Wing Nuts & Carriage Bolts (set 3)
- 450D Rear Leg & Hinge
- 450E Wing Nut & Glide, each
- 450F Rear Braces (set 2)
- 450G Top Canvas Holder
- 450H Wing Nut & Glide for #450G, each
- 450H Aluminum Center Column
- 450I Utility Shelf
- 450J Palette Holders (set 2)
- 450R Rubber Tips (set 3)